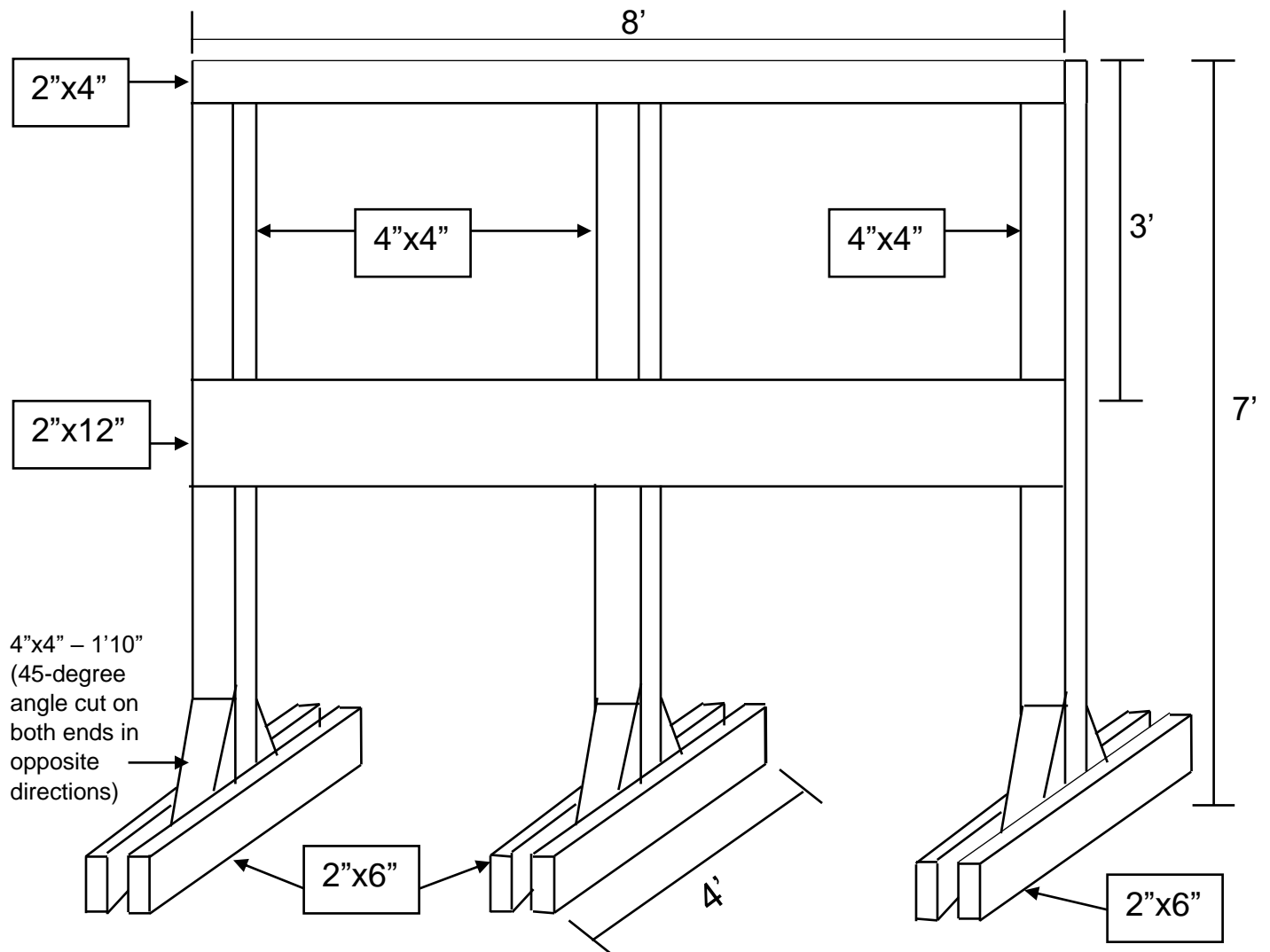


Life Jacket Loaner Station Plans



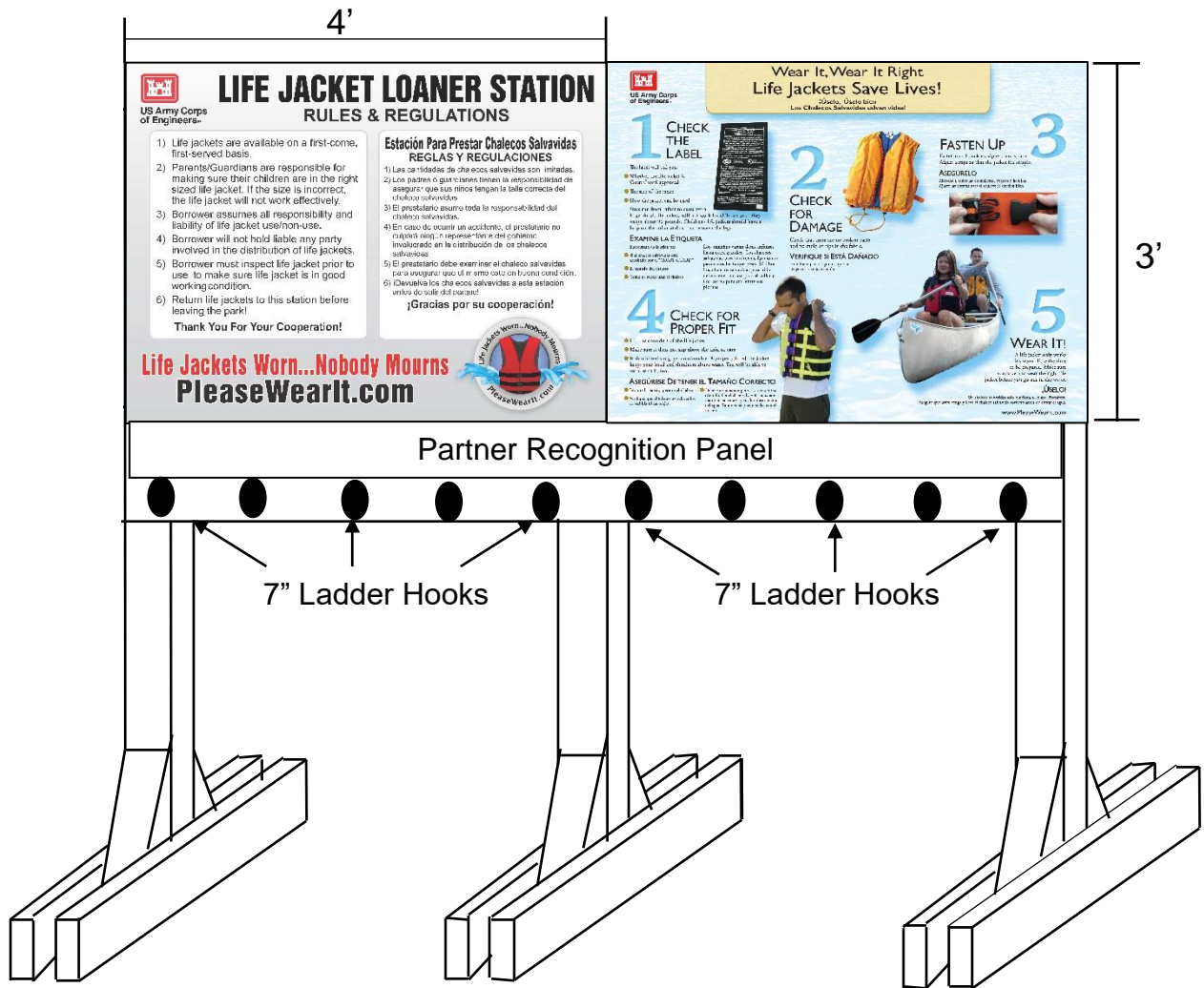
Material List

- 1: 2" x 4" x 8'
- 6: 2" x 6" x 4'
- 1: 2" x 12" x 8'
- 3: 4" x 4" x 7'
- 6: 4" x 4" x 1'10" (45-degree angle cuts on both ends in opposite direction)
- Several – 3½" deck screws
- 10: 7" ladder hooks and 1½" deck screws
- 2: 3' x 4' Life Jacket Loaner Station Interpretive Panels
- 1: 6" x 8' Partner Recognition Panel

For Ground Installation replace the six 2"x6"x4's and six 4"x4"x1'10"s with three 4"x4" wood post anchors. If installing on concrete use three 4"x4" fence post base brackets.

Link to wood post anchor video: <https://www.youtube.com/watch?v=SE3PKWU4at8>

Link to how to install fence post base bracket onto concrete: https://www.youtube.com/watch?v=JMZLK_B5k3g



Artwork for Life Jacket Loaner Station Interpretive Panels is available by emailing water.safety@usace.army.mil

Pictures for reference of wood post anchor and bracket for ground installation:



Example of ladder hook that can be used.



4" x 4" wood post anchor

4" x 4" fence post base bracket